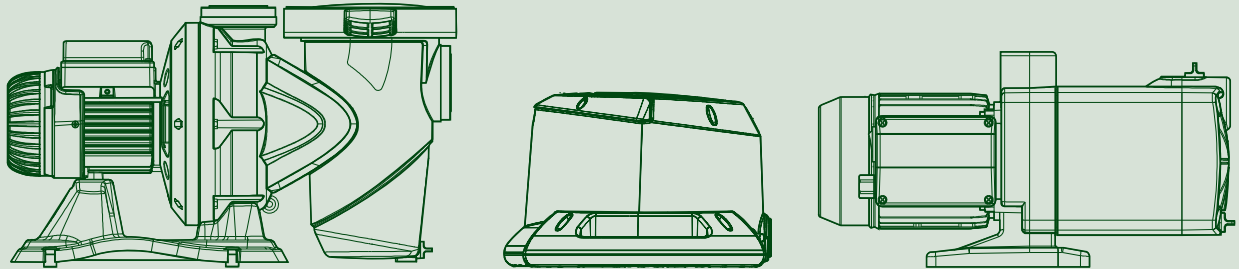




WATER • TECHNOLOGY

SWIMMING POOL AND SALT WATER PUMPS



TECHNICAL CATALOGUE

DISCOVER THE
SVRS MODEL WITH
ANTI-TRAPPING SYSTEM



TECHNICAL DATA

Operating range: up to 30 m³/h with head of up to 15,4 metres

Pumped liquid: clean water, or slightly contaminated water with suspended solid debris, or long fibres; highly aggressive water with high percentage of chlorine/bromine and PHMB (Polyhexamethylene biguanide), or chlorine electrolysis treated water

PH Range: 6,5-8,4

Pumped liquid temperature range: up to 40 °C

Maximum ambient temperature: 50 °C

Maximum operating pressure: 2.5 bar

Installation: fixed, horizontal position

Connectors on request: 2"/50 - 63

(two connectors+O-ring - see "Accessories") kit

Standard of reference: IEC - 60364

Protection class of the motor : IP X5

Protection class at the terminal board: IP X5

Insulation class: F

Standard voltage: single-phase 230 V - 50/60 Hz

APPLICATIONS

Eswim is the most silent and energy-efficient electronic swimming pool pump with built-in high capacity strainer basket.

Eswim combine advanced engineering hydraulics parts, frequency converter technology, and high efficiency permanent magnet motor (with its innovative water cooled motor) to runs whatever the speed of the motor is (high or low) in a super silent way.

Extremely quiet and highly reliable, developed for water circulation and filtration in domestic and residential swimming pools.

CONSTRUCTION FEATURES

The **impeller and volute** are designed to achieve high efficiency, improving hydraulics performances.

Transparent antioxidant polycarbonate basket cover ensuring constant visibility over the long period. Fibreglass reinforced technopolymer hydraulics designed to ensure total cover and insulation of the motor shaft from the pumped liquid. Carbon / alumina / NBR / AISI 316 mechanical seal. Butterfly filling and drain plugs that can be removed and refitted without tools.

Eswim is provided with synchronous brushless electric **motor** with incapsulated magnetic rotor, driven by frequency converter. Motor water cooled (no motor fan), extremely quiet running. Die cast aluminium motor casing with special coating to avoid oxidation. Support base supplied with rubber feet to reduce vibrations.

Eswim pump is controlled by an **electronic device** based on Trench IGBT technology of the latest generation for higher efficiency and robustness. Two dedicated 32-bit processors (one for motor control and one for the user interface), intuitive user interfaces, and external input (a digital input and a analogic input 0-10V or 4-20mA) ensure ease of setting for all users.

Its onboard computer and intelligent software can operate at adjustable **CONSTANT SPEED** or **CONSTANT FLOW** (totally sensorless) to optimize performance and minimize energy use.

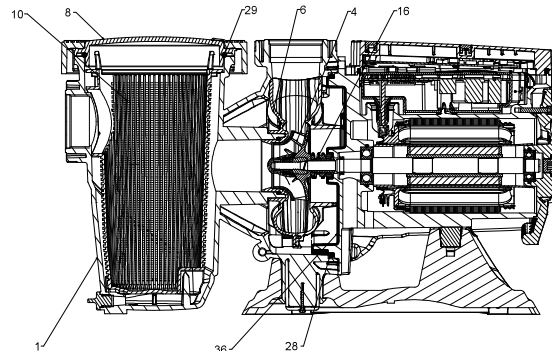
Panel is provided of preset function mode button (adjustable), led of status and alarm, week and season scheduling menu to have the complete control on the pump.

A wide LCD display inform you about run time, mode and current status

MATERIALS

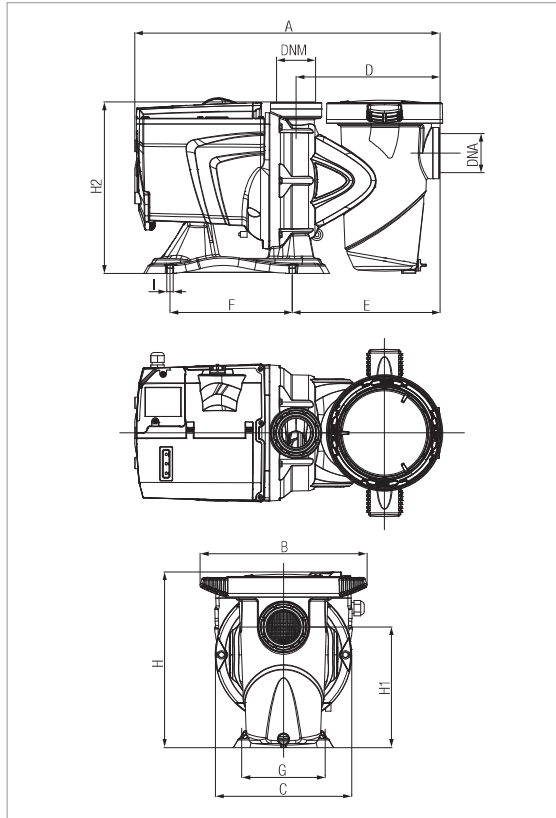
N.	PARTS*	MATERIALS
1	PUMP BODY	REINFORCED TECHNOPOLYMER
4	IMPELLER	REINFORCED TECHNOPOLYMER
6	VOLUTE	REINFORCED TECHNOPOLYMER
8	STRAINER COVER	POLYCARBONATE
10	STRAINER	TECHNOPOLYMER
16	MECHANICAL SEAL	CARBON/ALUMINA/NBR/AISI316
28	O-RING	NBR
29	O-RING	NBR
36	SEAL HOLDING DISC	EPDM

* In contact with the liquid

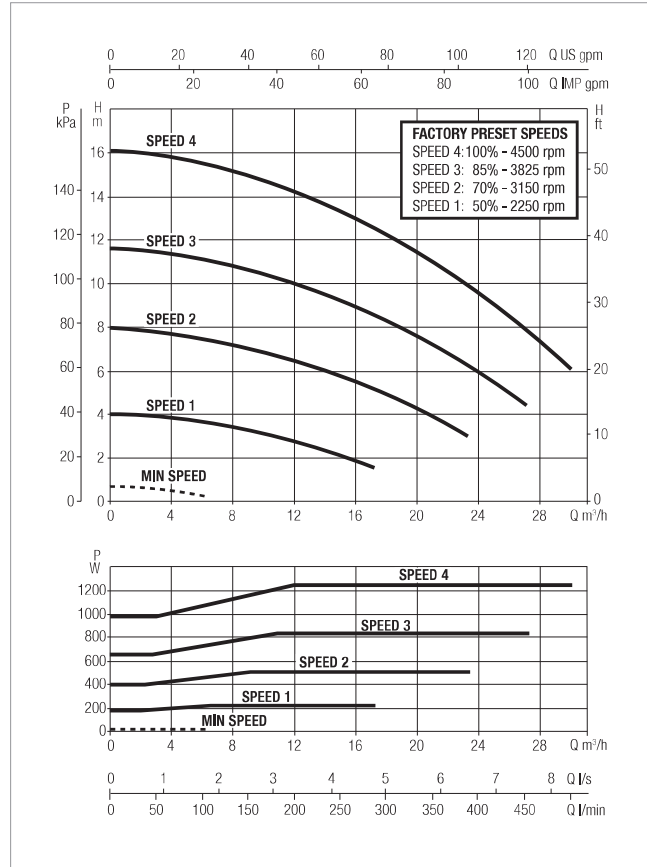


ESWIM 150 - SWIMMING POOL PUMPS

Pumped liquid temperature range: up to 40 °C - Maximum ambient temperature: +50 °C



The performance curves are based on kinematic viscosity values = 1 mm²/s and density equal to 1000 kg/m³. Curve tolerance according ISO 9906.



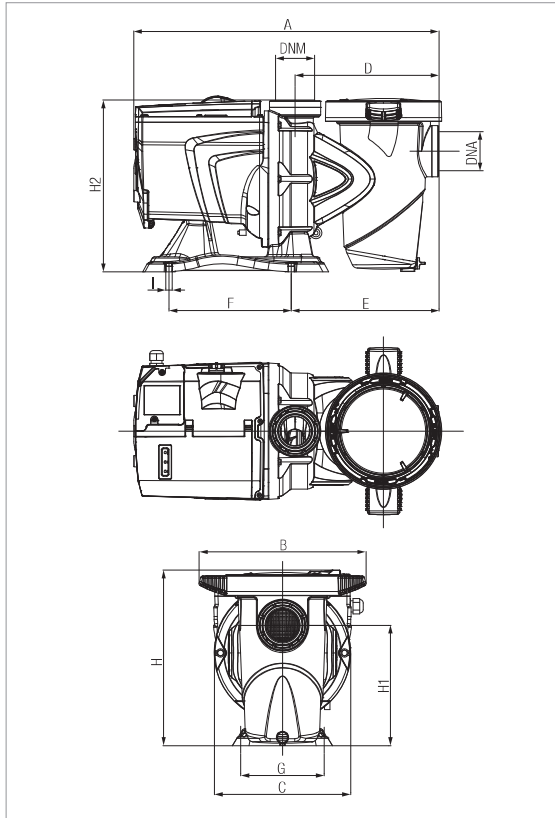
MODEL	Q= m ³ /h	0	6	9	12	15	18	21	24	27	30
	Q=l/min	0	100	150	200	250	300	350	400	450	500
ESWIM 150	H	15,9	15,7	15,2	14,4	13,4	12,2	10,9	9,4	7,9	6,3
ESWIM 150 SVRS	(m)	15,9	15,7	15,2	14,4	13,4	12,2	10,9	9,4	7,9	6,3

MODEL	POWER INPUT 50 Hz	P1 MAX kW	P2 NOMINAL		In A	NOISE LEVEL-MEDIUM WORKING POSITION DB (A)
			kW	HP		
ESWIM 150	230 V	1,25	1,1	1,5	5,6	50 dB(A)
ESWIM 150 SVRS	230 V	1,25	1,1	1,5	5,6	50 dB(A)

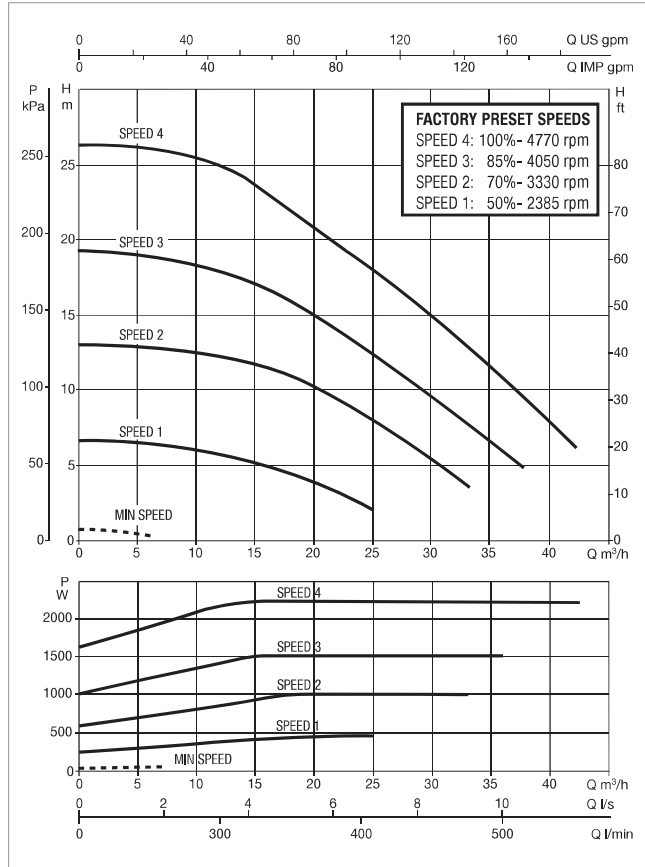
MODEL	A	B	C	D	E	F	G	H	H1	H2	I	DNA	DNM	PACKING DIMENSIONS			WEIGHT Kg	Q.TY X PALLET
														L/A	L/B	H		
ESWIM 150	550	300	245	259	266	220	150	316	217	309	11	2" F	2" F	720	350	430	19	8
ESWIM 150 SVRS	550	300	245	259	266	220	150	316	217	309	11	2" F	2" F	720	350	430	19	8

ESWIM 300 - SWIMMING POOL PUMPS

Pumped liquid temperature range: up to 40 °C - Maximum ambient temperature: +50 °C



The performance curves are based on kinematic viscosity values = 1 mm²/s and density equal to 1000 kg/m³. Curve tolerance according ISO 9906.



MODEL	Q= m ³ /h	0	5	10	15	20	25	30	35	40	42,6
	Q=l/min	0	83	166	250	333	416	500	583	666	710
ESWIM 300	H (m)	26	25,4	24,8	23,2	20,6	17,4	14,4	11,5	7,8	6

MODEL	POWER INPUT 50 Hz	P1 MAX kW	P2 NOMINAL		In A	NOISE LEVEL - MEDIUM WORKING POSITION db (A)
			kW	HP		
ESWIM 300	230 V	2,25	1,9	2,6	10	44 dB(A)

MODEL	A	B	C	D	E	F	G	H	H1	H2	I	DNA	DNM	PACKING DIMENSIONS			GROSS WEIGHT kg	Q.TY X PALLET
														L/A	L/B	H		
ESWIM 300	574	304	290	269	276	220	150	354	252	344	11	2" F	2" F	720	350	430	21,3	6

DAB
PUMPS SELECTOR

On-line product selection



DAB PUMPS LTD.

6 Gilberd Court
Newcomen Way
Severalls Business Park
Colchester
Essex
CO4 9WN - UK
salesuk@dwtgroup.com
Tel. +44 0333 777 5010



DAB PUMPS IBERICA S.L.

Calle Verano 18-20-22
28850 - Torrejón de Ardoz - Madrid
Spain
Info.spain@dwtgroup.com
Tel. +34 91 6569545
Fax: + 34 91 6569676



DAB PUMPS SOUTH AFRICA (PTY) LTD

Twenty One Industrial Estate,
16 Purlin Street, Unit B, Warehouse 4
Olifantsfontein - 1666 - South Africa
info.sa@dwtgroup.com
Tel. +27 12 361 3997



DAB PUMPS BV

'Hofveld 6 C1
1702 Groot Bijgaarden - Belgium
info.belgium@dwtgroup.com
Tel. +32 2 4668353



DAB PUMPS HUNGARY KFT.

H-8800
Nagykanizsa, Buda Ernő u.5
Hungary
Tel. +36 93501700



DAB PUMPS (QINGDAO) CO, LTD.

No.40 Kaituo Road, Qingdao Economic & Technological
Development Zone
Qingdao City, Shandong Province - China
PC: 266500
sales.cn@dwtgroup.com
Tel. +86 400 186 8280
Fax +86 53286812210



DAB PUMPS B.V.

Albert Einsteinweg, 4
5151 DL Drunen - Nederland
info.netherlands@dwtgroup.com
Tel. +31 416 387280
Fax +31 416 387299



DAB PUMPS POLAND Sp. z o.o.

Ul. Janka Muzykanta 60
02-188 Warszawa - Poland
polska@dabpumps.com.pl



DAB PUMPS DE MÉXICO, S.A. DE C.V.

Av Amsterdam 101 Local 4
Col. Hipódromo Condesa,
Del. Cuauhtémoc CP 06170
Ciudad de México
Tel. +52 55 6719 0493



OOO DAB PUMPS

Novgorodskaya str. 1, block G
office 308, 127247, Moscow - Russia
info.russia@dwtgroup.com
Tel. +7 495 122 0035
Fax +7 495 122 0036



DAB PUMPS OCEANIA PTY LTD

426 South Gippsland Hwy,
Dandenong South VIC 3175 - Australia
info.oceania@dwtgroup.com
Tel. +61 1300 373 677



DAB PUMPS GMBH

Am Nordpark 3
D - 41069 Mönchengladbach - Germany
info.germany@dwtgroup.com
Tel. +49 2161 47388-0
Fax +49 2161 47388-36



DAB PUMPS INC.

3226 Benchmark Drive
Ladson, SC 29456 - USA
info.usa@dwtgroup.com
Tel. 1- 843-797-5002
Fax 1-843-797-3366



PT DAB PUMPS INDONESIA

Satrio Tower lantai 26
unit C-D, Jl. Prof. Dr. Satrio Kav. C4,
Kel. Kuningan Timur, Kec. Setiabudi, Kota Adm.
Jakarta Selatan, Prov. DKI Jakarta. - Indonesia
Tel. +62 2129222850